

Characteristics

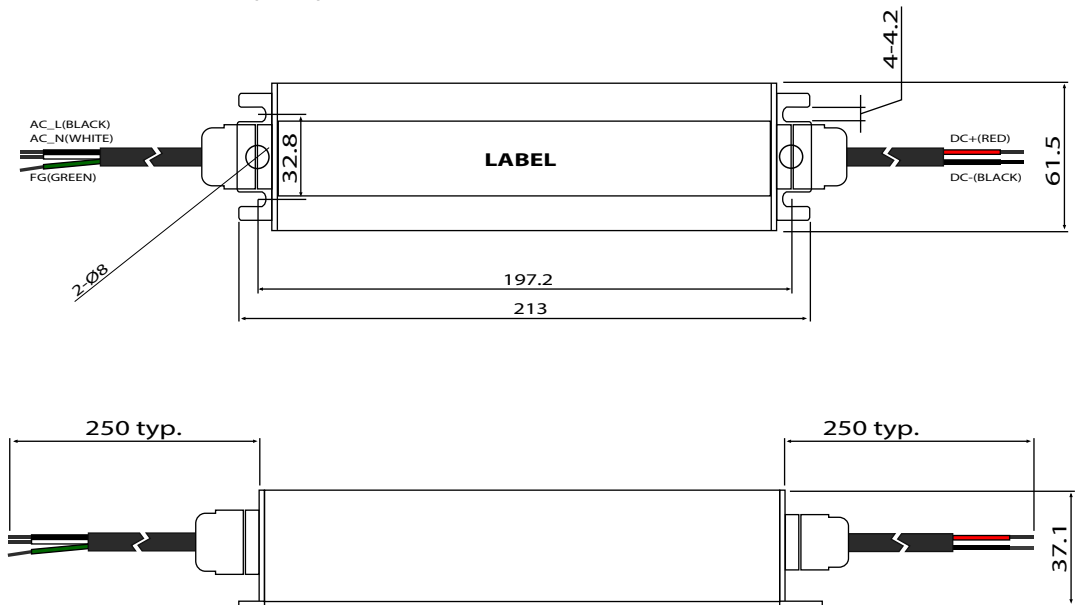
IP68	C <b>UL</b> US E362059	Constant Voltage MODE
DC12V	<b>FC</b>	LPS
SELV		



- **Constant Voltage design(C.V. mode)**
- AC input automatic voltage selection : 100 - 277VAC
- Protections:  
Overload / Over voltage / Short circuit / Over temperature
- IP68 design for outdoor installations
- Dry, damp and wet locations
- 100% full load burn-in test
- Suitable for LED lighting and moving sign applications
- Metal case
- Safety standards : UL879
- EMC standards : FCC Part 15 class B

Physical

■ Dimension: unit(mm)

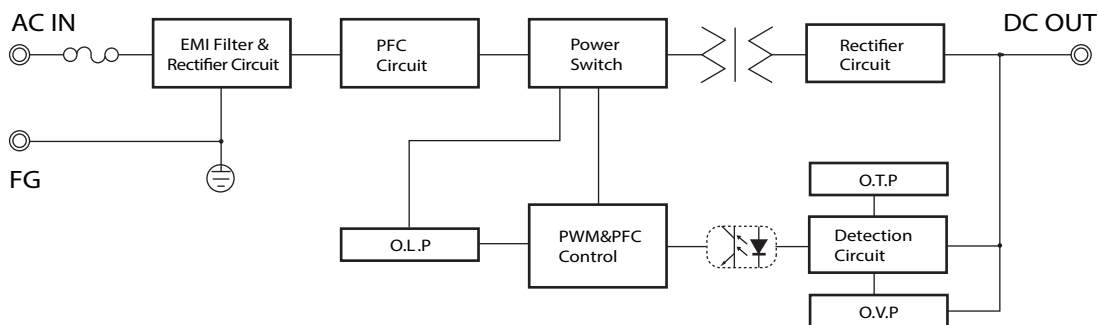


Dimension : 8.39" x 2.42" x 1.46" inch (LxWxH)  
Weight : 1.7 Lbs

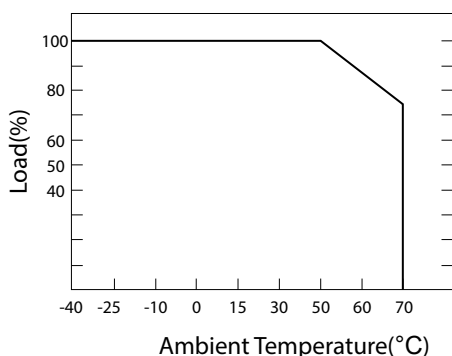
Other Characteristics

ITEM		UPF150S12WH
INPUT	VOLTAGE RANGE	AC100-277V
	FREQUENCY RANGE	47~63Hz
	EFFICIENCY (typ.)	90%(115VAC) / 92%(230VAC)
	AC CURRENT (typ.)	1.45A/115VAC (typ) 0.71A/230VAC(typ)
	INRUSH CURRENT (typ.)	COLD START 40A/230VAC
	LEAKAGE CURRENT	<2.5mA / 230VAC
OUTPUT	DC VOLTAGE	12V
	RATED CURRENT	12.5A
	RATED POWER	150W
	RIPPLE&NOISE (max.) Note2	150mVp-p
	CURRENT ACCURACY	±5%
	SETUP, RISE TIME (max.)	3000ms, 100ms/150VAC at full load 3000ms, 100ms/230VAC at full load
	HOLD UP TIME (typ.)	20ms/115VAC at full load 20ms/230VAC at full load
PROTECTION	SHORT CIRCUIT	Hiccup or shut down mode / recover : automatically or need reapplying power
	OVERLOAD	Over 100% of rating ; recovers automatically after fault condition is removed
	OVER VOLTAGE	115~140% of rating
	OVER TEMPERATURE	(Temp. Sensor) ; recovers automatically after fault condition is removed
ISOLATION	WITHSTAND VOLTAGE	I/P-O/P:AC3.75KV, I/P-F.G:AC2KV, O/P-F.G:AC1.5KV
	ISOLATION RESISTANCE	I/P-O/P,I/P-F.G,O/P-F.G:DC500V 100Mohms(At room temp. & humid.)
ENVIRONMENT	WORKING TEMP.&HUMID.	-40~+70°C(Refer to "DERATING CURVE"),20~95%RH
	STORAGE TEMP.&HUMID.	-40~+85°C,10~95%RH
	VIBRATION	10~500Hz, 5G 12min./1cycle, period for 72min. Each along X, Y, Z axes
OTHERS	DIMENSION/WEIGHT	213 x 61.5 x 37.1 mm (LxWxH) / 0.78kg
NOTE	1.All parameters not specially mentioned are measured at 220vac input, rarted load and 25 °c of ambient temperature. 2.Ripple & noise are measured at 20MHZ of bandwidth by using a 12" twisted pare-wire terminated with 0.1 uF & 47uF parallel capacitor.	

■ BLOCK DIAGRAM



■ DERATING CURVE



■ STATIC CHARACTERISTICS

