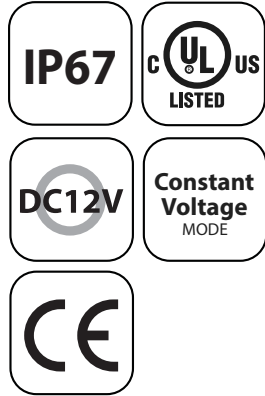


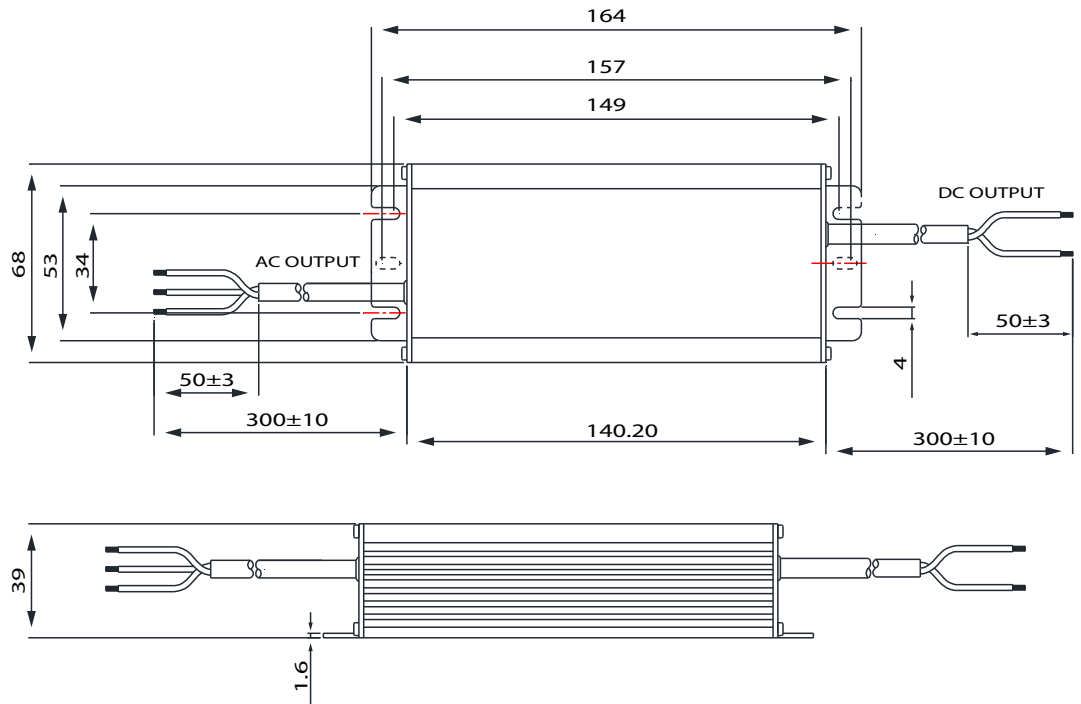
## Characteristics



- **Constant Voltage design(C.V. mode)**
- AC input automatic voltage selection : 110-277V
- Protections:
  - Overload / Over voltage / Short circuit / Over temperature
- IP67 design for outdoor installations
- Dry, damp and wet locations
- Suitable for LED lighting and moving sign applications
- Surge immunity : Line-Line 5KV, Line-Earth 10KV
- High power factor >0.96(230Vac & full load)
- Metal case
- Class P power unit
- Safety standards : UL8750 recognized U.S and canada certified
- EMC standards : FCC Part 15

## Physical

■ Dimension: unit(mm)

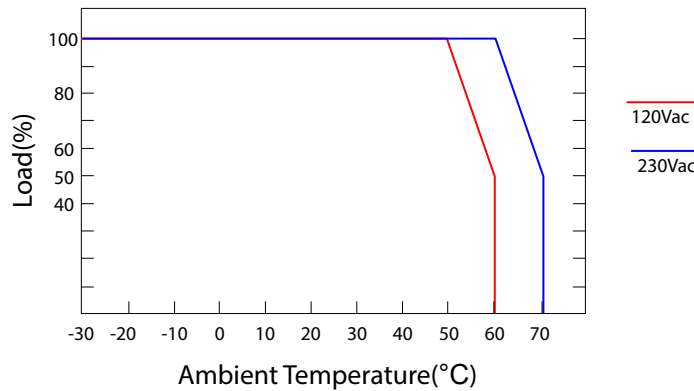


Dimension : 6.45" x 2.67" x 1.53" inch (LxWxH)  
 Weight : 1.49 lbs.

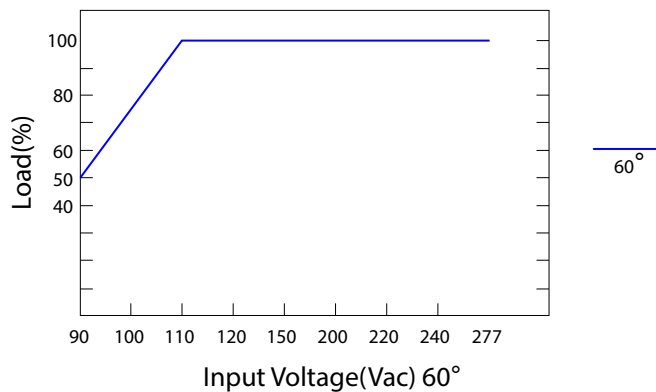
Other Characteristics

ITEM		LSV-75B012
INPUT	VOLTAGE RANGE	AC110~277V (Min 90)
	FREQUENCY RANGE	47~63Hz
	EFFICIENCY(typ.)	87%
	AC CURRENT	1.0A Max. 110-277Vac & full load
	INRUSH CURRENT(typ.)	COLD START 75A/230VAC
	LEAKAGE CURRENT	<0.75mA / 277VAC
OUTPUT	DC VOLTAGE	12V
	RATED CURRENT	6.25A
	RATED POWER	75W
	RIPPLE&NOISE(max.) Note1	3%
	OUTPUT OVERTHROOT	10%
	OUTPUT CURRENT TOLERANCE	±5%
	LINE REGULATION Note2	3%
	LOAD REGULATION Note3	3%
	TURN-ON DELAY TIME	1S/120Vac at full load, 0.5S/230Vac at full load
PROTECTION	SHORT CIRCUIT	The input power shall decrease when the output rail short
	OVER CURRENT <sup>4</sup>	Hiccup mode: recovers automatically after fault condition is removed
	OVER VOLTAGE <sup>5</sup>	110~140% of rating
	OVER TEMPERATURE	90±10°C(temp. Sensor) shuts off : recovers automatically after fault condition is removed
OTHERS	DIMENSION/WEIGHT	164*68*39mm(L*W*H) 680g/pcs
NOTE	1. Full load, Measured by 20 MHz bandwidth oscilloscope and the output paralleled a 0.1uF ceramic capacitor and a 10uF electrolytic capacitor. 2. L 25 °C ±10 °C ambient temperature, input voltage changes from 90Vac to 305Vac. 3. L 25 °C ±10 °C ambient temperature, 230Vac input, load changes from 50% to 100% 4. The overcurrent protection value shall not exceed 2.7times of the maximum load. 5. When the output voltage is over 110~140% Rated Load Voltage, the driver shuts off automatically and enters protection status. The driver will work normally after fault condition removed and AC input re-apply.	

DERATING CURVE

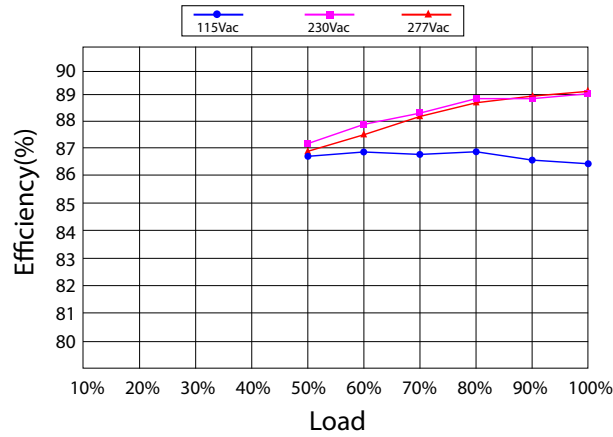


INPUT VOLTAGE VS LOAD

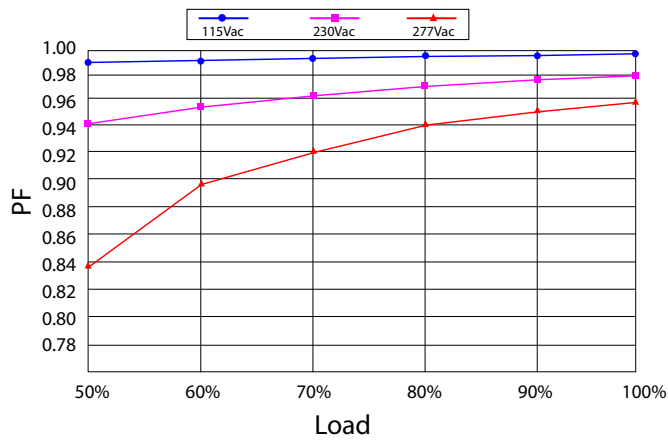


Other Characteristics (Continued)

EFFICIENCY VS LOAD



POWER FACTOR VS LOAD CURVE



TOTAL HARMONIC DISTORTION VS LOAD CURVE

