

Characteristics

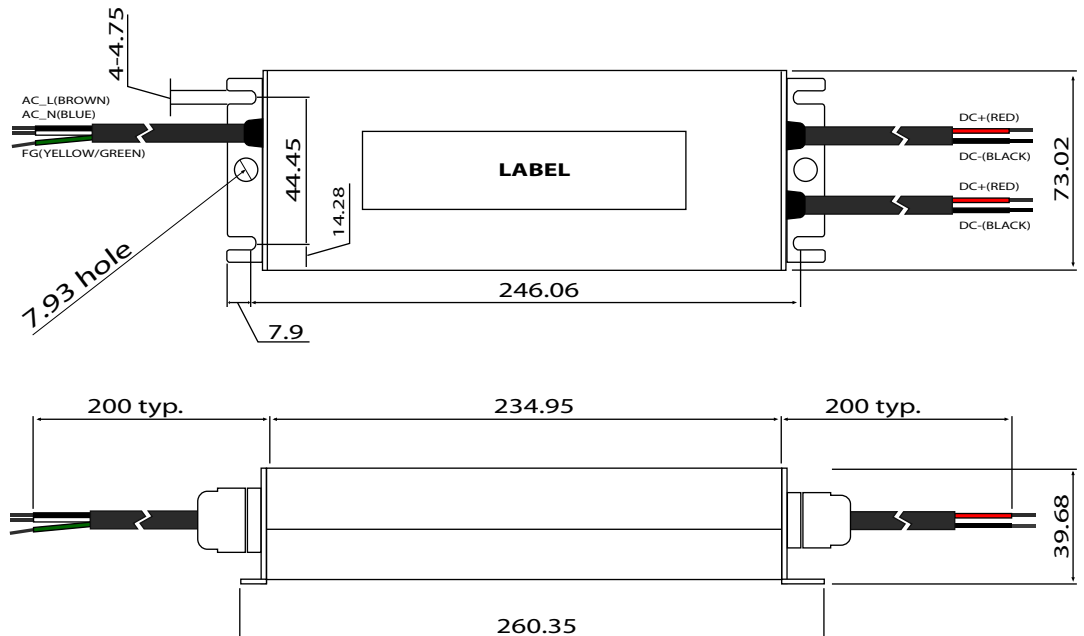
IP68	Constant Voltage MODE
DC12V	LPS
SELV	



- **Constant Voltage design(C.V. mode)**
- AC input automatic voltage selection : 100-277 V
- Protections:
  - Overload / Over voltage / Short circuit / Over temperature
- IP68 design for outdoor installations
- Dry, damp and wet locations
- 100% full load burn-in test
- Suitable for LED lighting and moving sign applications
- Metal case
- Safet standards :K61347-2-1,K61347-2-13
- EMC standards :K00015,K61547,K61000-4-2,3,4,5,6,11

Physical

■ Dimension: unit(mm)



Dimension : 10-1/4" x 2-14/16" x 1-9/16" inch (LxWxH)  
 Weight : 3 Lbs

**Elite LED Supply, Inc**

8720 Westpark Dr Ste B TX 77063

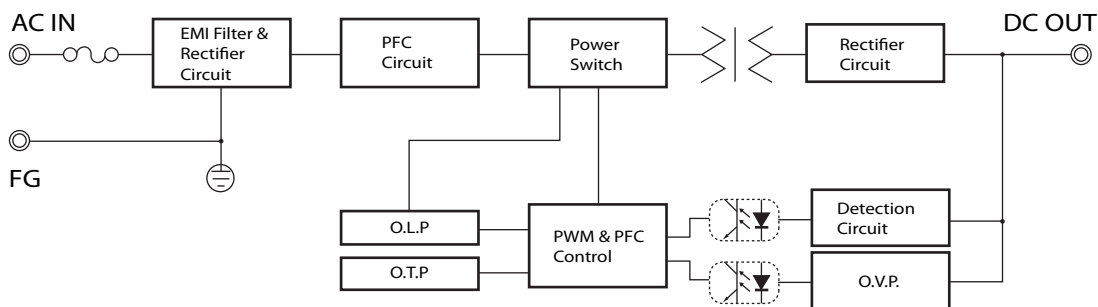
Tel:713-234-6579 Fax:832-886-5256 www.eliteledsupply.com



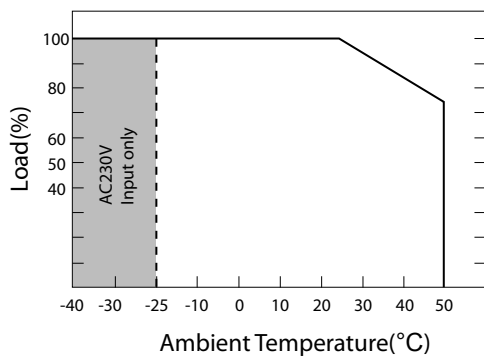
## Other Characteristics

ITEM	UPF300S12WQ	
INPUT	VOLTAGE RANGE	AC100~277V
	FREQUENCY RANGE	47~63Hz
	EFFICIENCY(typ.)	90%
	AC CURRENT(typ.)	3.3A/115VAC (typ) 1.7A/230VAC(typ)
	INRUSH CURRENT(typ.)	COLD START 50A/230VAC
	LEAKAGE CURRENT	<2.5mA / 230VAC
OUTPUT	DC VOLTAGE	12V
	RATED CURRENT	22A(18.75A@50°C) 115VAC / 25A(18.75A@50°C) 230VAC
	RATED POWER	300W
	RIPPLE&NOISE(max.) Note2	150mVp-p
	CURRENT ACCURACY	±5%
	SETUP, RISE TIME(max.)	3000ms, 100ms/115VAC at full load    3000ms, 100ms/230VAC at full load
	HOLD UP TIME(typ.)	50ms/115VAC at full load    50ms/115VAC at full load
PROTECTION	SHORT CIRCUIT	Hiccup or shut down mode / recover : automatically or need reapplying power
	OVERLOAD	Over 100% of rating : recovers automatically after fault condition is removed
	OVER VOLTAGE	115~140% of rating
	OVER TEMPERATURE	115±10°C(Temp. sensor) : recovers automatically after fault condition is removed
ISOLATION	WITHSTAND VOLTAGE	I/P-O/P:AC3KV,I/P-F.G:AC1.5KV, O/P-F.G:AC0.5KV
	ISOLATION RESISTANCE	I/P-O/P,I/P-F.G,O/P-F.G:DC500V 100Mohms(At room temp. & humid.)
ENVIRONMENT	WORKING TEMP.&HUMID.	-40~+50°C(Refer to "DERATING CURVE"),20~95%RH
	STORAGE TEMP.&HUMID.	-40~+80°C,10~95%RH
	VIBRATION	10~500Hz, 5G 12min./1cycle, period for 72min. Each along X, Y, Z axes
OTHERS	DIMENSION/WEIGHT    260*72*40.8mm(L*W*H)/1.4Kg	
NOTE	1.All parameters not specially mentioned are measured at 220vac input, rarted load and 25 °c of ambient temperature. 2.Ripple & noise are measured at 20MHZ of bandwidth by using a 12" twisted pare-wire terminated with 0.1 uF & 47uF parallel capacitor. 3.Tolerance : includes set up tolerance, line regulation and load regulation. 4.Line regulation is mesured from low line to high line at rated load. 5.Load regulation is measured from low 0% to 100% rated load.	

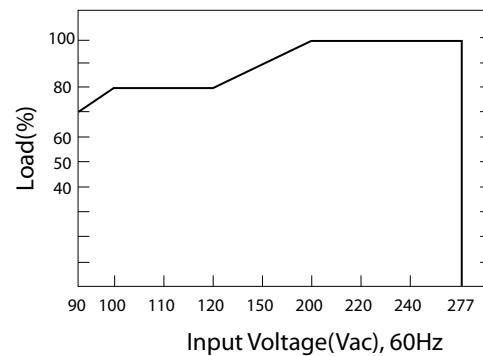
### ■ BLOCK DIAGRAM



### ■ DERATING CURVE



### ■ STATIC CHARACTERISTICS



**Elite LED Supply, Inc**

8720 Westpark Dr Ste B TX 77063

Tel:713-234-6579 Fax:832-886-5256 www.eliteledsupply.com

