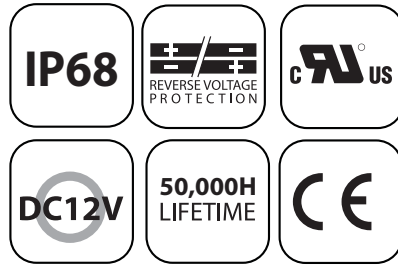
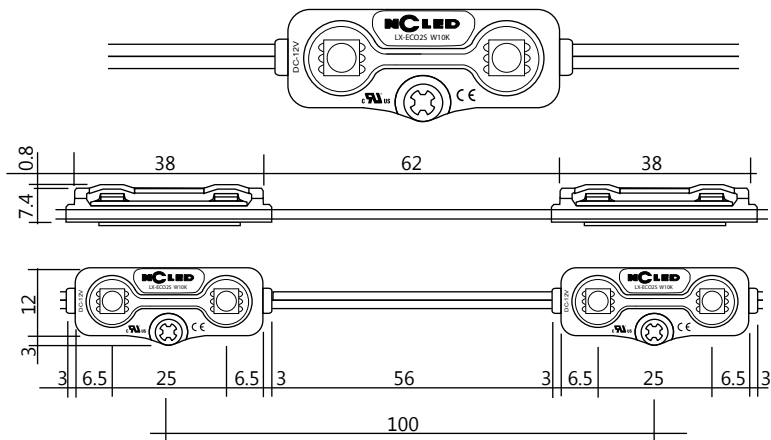


Characteristic



- **Most Preferred Best Seller LED Module Solution (CE, UL Certified)**
- Specialized lens covered design for perfect humid & waterproof (IP68)
- High luminosity & compact design
- Guaranteed life time up to 50,000 hours  
\*24 hour constant load may result less operating hours with lower lighting output. Estimated lifetime is based on normal usage
- SMD LED mounted (Made in Korea)
- Slight current drop through wire to wire connection(vs soldering)
- 120° viewing angle creates more uniform backlighting effects and better silhouettes
- Quality and reliability assured

Physical



Length : 38mm                      Weight : 7g  
 Width : 12mm                      LED Pitch : 25mm  
 Thickness : 8.2mm                  Module Pitch : 100mm

Optical Characteristic

Color	Luminous Flux(lm)	CCT (Kelvin) & Dominant Wave Length	Viewing Angle
	Typical	Typical	2θ <sub>1/2</sub>
Cool White	38	10,000K	120

**Electrical Characteristics**

Current dissipation : 40mA  
 Power consumption : 0.48W  
 Operating powewr : 12V  
 Quantity for maximum connection in serial : 50 modules  
 Electronic dimmable controller supported

**Thermal**

Operating temperature : -20~60°C  
 Storage temperature : -20~70°C

**Waterproof Rating**

IP68 : Complete protection against dust ingress and water

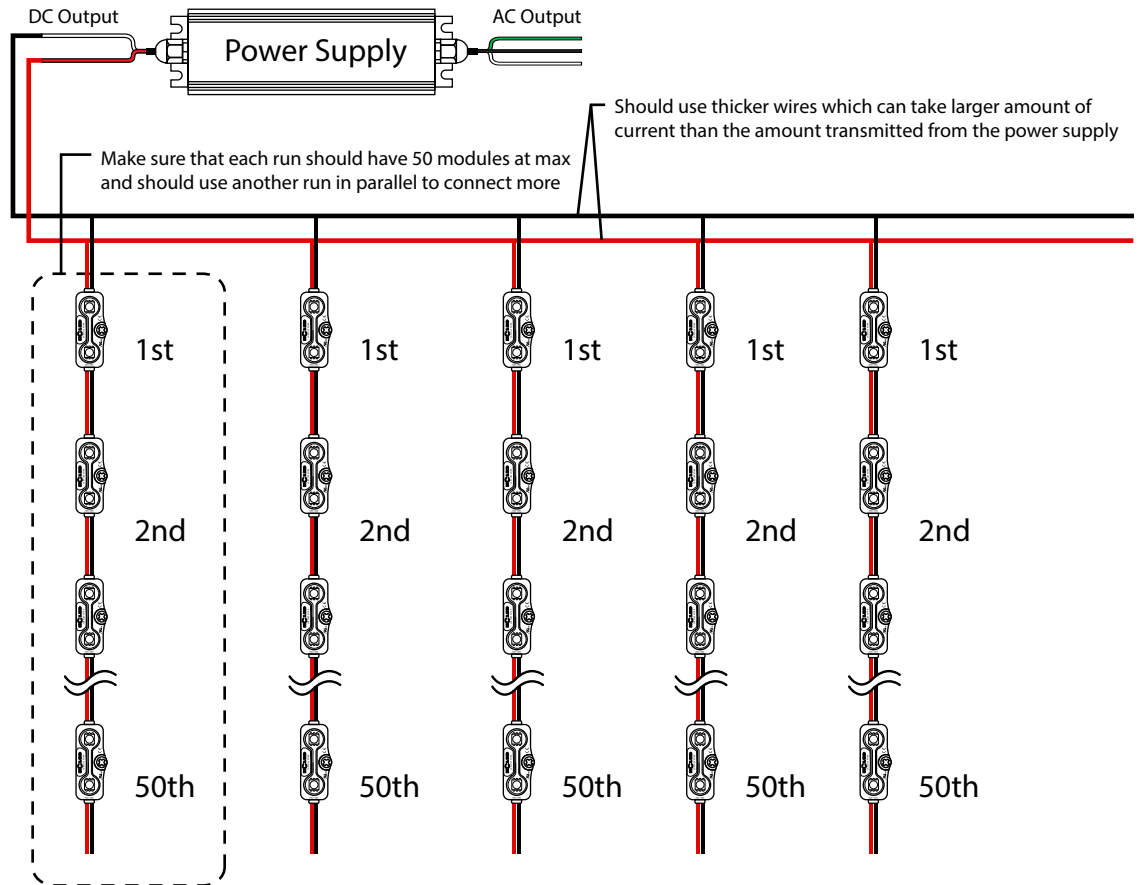
**Construction**

LED type : SMD5050  
 Case materials : UL, ABS-HI121, HB-Class  
 Cable : UL, AWM2468 18AWG 300V/80C

**Approval**

UL Certified E347462  
 CAN/CSA-C22.2 No. 207-M89

**Wiring Guide**



**Wiring Guide**

		Power Supply					
		30watt	60watt	100watt	120watt	150watt	350watt
LX-ECO2S	Qty(pcs)	50	100	165	200	250	540
0.48Watt	Length(ft)	16.5	33	55	66.5	83	180

Specifications subject to change without notice