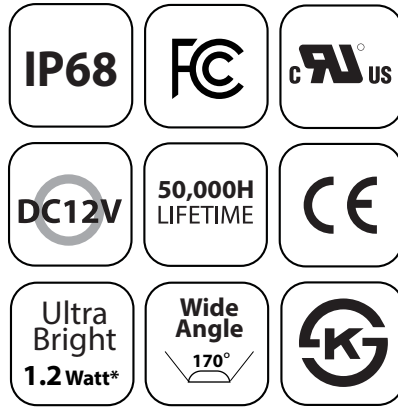
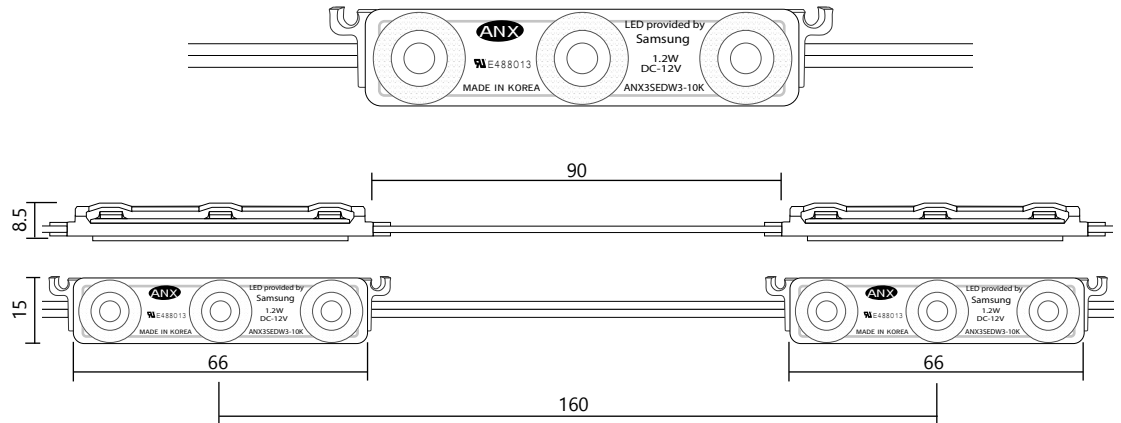


Characteristic



- **Recommended for channel letter. 3" to 8" from LED to face**
- Most Preferred Best Seller LED Module Solution (CE, UL Certified)
- Specialized lens covered design for perfect humid & waterproof (IP68)
- High luminosity & compact design
- Guaranteed life time up to 50,000 hours  
\*24 hour constant load may result less operating hours with lower lighting output. Estimated lifetime is based on normal usage
- SMD LED mounted (Made in Korea)
- Slight current drop through wire to wire connection(vs soldering)
- 170° viewing angle creates more uniform backlighting effects and better silhouettes
- Quality and reliability assured

Physical



Optical Characteristic

Color	Luminous Flux(lm)	CCT (Kelvin) & Dominant Wave Length	Viewing Angle
	Typical	Typical	2θ <sub>1/2</sub>
Cool White	105	10,000K	170

**Electrical Characteristics**

Current dissipation : 100mA  
 Power consumption : 1.20W  
 Operating power : 12V  
 Quantity for maximum connection in serial : 50 modules  
 Electronic dimmable controller supported

**Thermal**

Operating temperature : -25~60°C  
 Storage temperature : -40~80°C

**Waterproof Rating**

IP68 : Complete protection against dust ingress and water

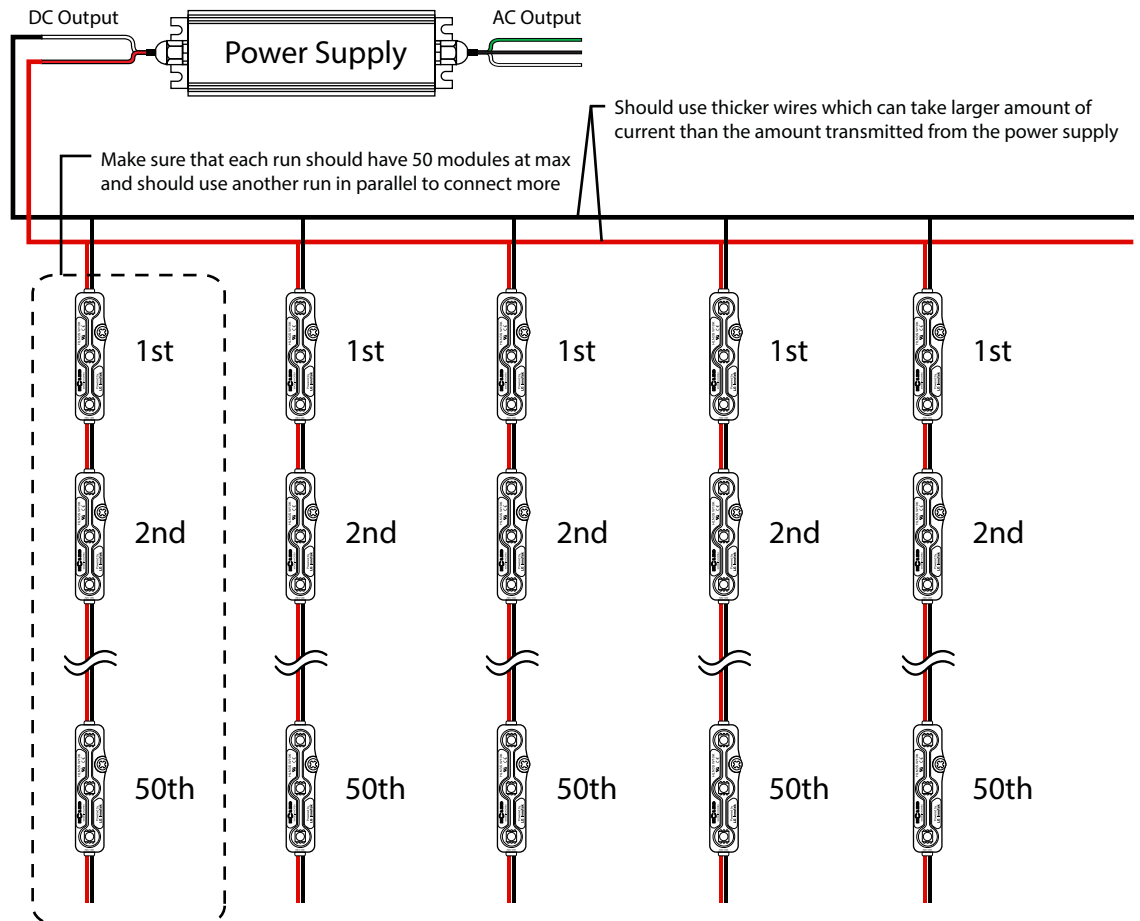
**Construction**

LED type : SMD2835  
 Case materials : ABS, UL-94  
 Cable : UL 18AWG

**Approval**

UL Certified E488013

**Wiring Guide**



**Wiring Guide**

		Power Supply					
		30watt	60watt	100watt	120watt	150watt	200watt
ANS3WA12	Qty(pcs)	20	40	67	80	100	134
1.20Watt	Length(ft)	10	20	33.5	40	50	67

Specifications subject to change without notice