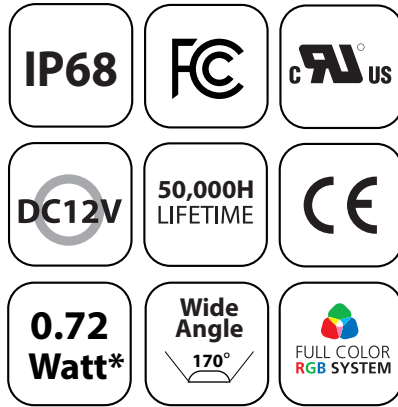
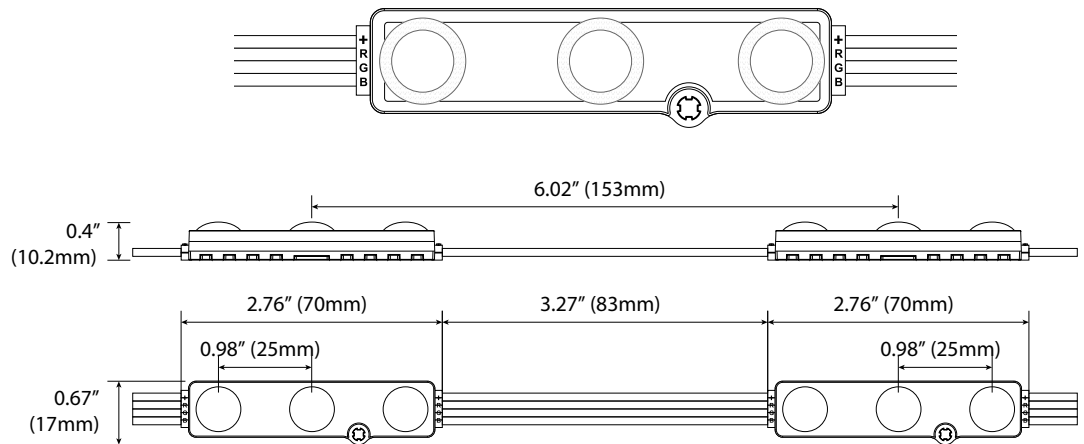


Characteristic



- **Recommended for channel letter. 3" to 8" from LED to face**
- Most Preferred Best Seller LED Modules Solution (CE, UL Certified)
- Specialized lens covered design for perfect humid & waterproof (IP68)
- High luminosity & compact design
- Guaranteed life time up to 50,000 hours
*24 hour constant load may result less operating hours with lower lighting output. Estimated lifetime is based on normal usage
- SMD LED mounted (Made in Korea)
- Slight current drop through wire to wire connection(vs soldering)
- 170° viewing angle creates more uniform backlighting effects and better silhouettes
- Quality and reliability assured

Physical



Optical Characteristic

Color	Luminous Flux(lm)	Luminance Efficiency(lm/W)	Dominant Wave Length & Color Temperature	Viewing Angle
	Typical	Typical	Typical	2θ _{1/2}
Red	6.3	26	625	140
Green	12.6	53	537	140
Blue	2.7	11	465	140
White	21.6	30	-	140

Electrical Characteristics

Current dissipation : 60mA
 Power consumption : 0.72W
 Operating powewr : 12V
 Quantity for maximum connection in serial : 100 modules
 Color controller supported : Voltage controlled color change system

Thermal

Operating temperature : -25~60°C
 Storage temperature : -40~80°C

Waterproof Rating

IP68 : Complete protection against dust ingress and water

Construction

LED type : SMD5050
 Case materials : ABS, UL-94
 Cable : UL-AWG18x4C
 Cover materials : Polycabonate, UL-94

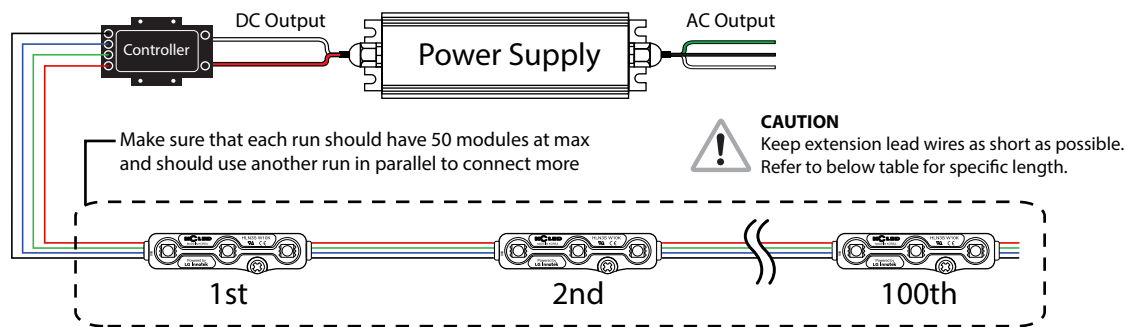
Approval

UL Certified E488013
 KS Certified

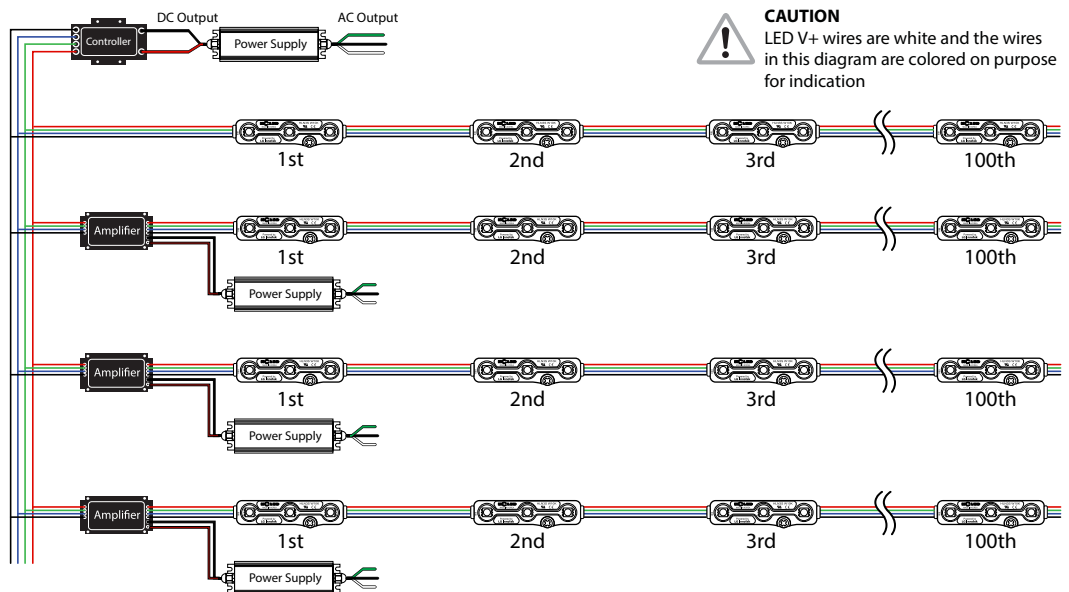
Wiring Guide

Single Controller

Refer to below table for specific length.



Parallel Connection with Signal Amplifiers



Specifications subject to change without notice

**CONNECTION WITH
POWER SUPPLY**

EXTENSION OF POWER SUPPLY LEAD WIRES

Output (W)	30W	60W	100W	120W	150W
Output (A)	2.5A	5A	8.4A	10A	12.5A
Max Q'TY per Run*	35pcs	70pcs	110pcs	140pcs	170pcs
Recommended Extension Wire	AWG18	AWG14	AWG12	AWG4	AWG2
Maximum Length	5M (15FT)	5M (15FT)	5M (15FT)	15M (50FT)	15M (50FT)

*Maximum quantity of LED is based on 80% of specified capacity of power supplies for extended lifespan

Specifications subject to change without notice