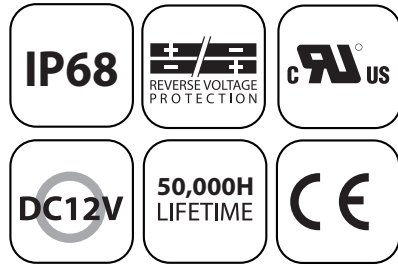
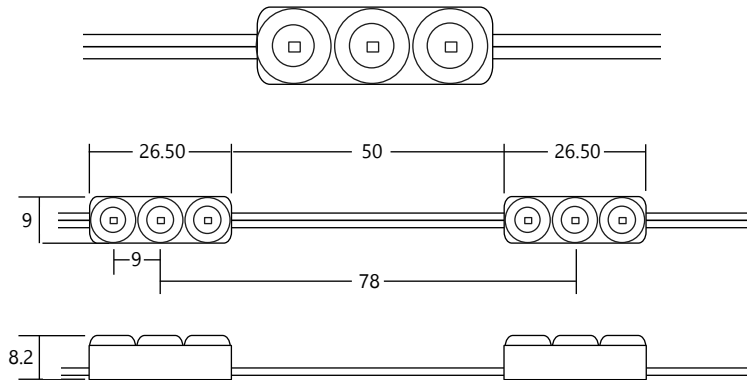


Characteristic



- **Most Preferred Best Seller LED Module Solution (CE, UL Certified)**
- Specialized lens covered design for perfect humid & waterproof (IP68)
- High luminosity & compact design
- Guaranteed life time up to 50,000 hours  
\*24 hour constant load may result less operating hours with lower lighting output. Estimated lifetime is based on normal usage
- SMD LED mounted (Made in Korea)
- Slight current drop through wire to wire connection(vs soldering)
- 150° viewing angle creates more uniform backlighting effects and better silhouettes
- Quality and reliability assured

Physical



Length : 26.50mm      Weight : 2.5g  
 Width : 9mm      LED Pitch : 9mm  
 Thickness : 8.2mm      Module Pitch : 78mm

Optical Characteristic

Color	Luminous Flux(lm)	CCT(K) & Wavelength(nm)	Viewing Angle
	Typical	Typical	2θ <sub>1/2</sub>
White	44	6,500K	150
Red	10	625nm	150
Green	37	525nm	150
Blue	8	465nm	150
Amber	10	595nm	150

**Electrical Characteristics**

Current dissipation : 40mA  
 Power consumption : 0.48W  
 Operating powewr : 12V  
 Quantity for maximum connection in serial : 50 modules  
 Electronic dimmable controller supported

**Thermal**

Operating temperature : -20 to 60C  
 Starga temperature : -20 to 70C

**Waterproof Rating**

IP68 : Complete protection against dust ingress and water

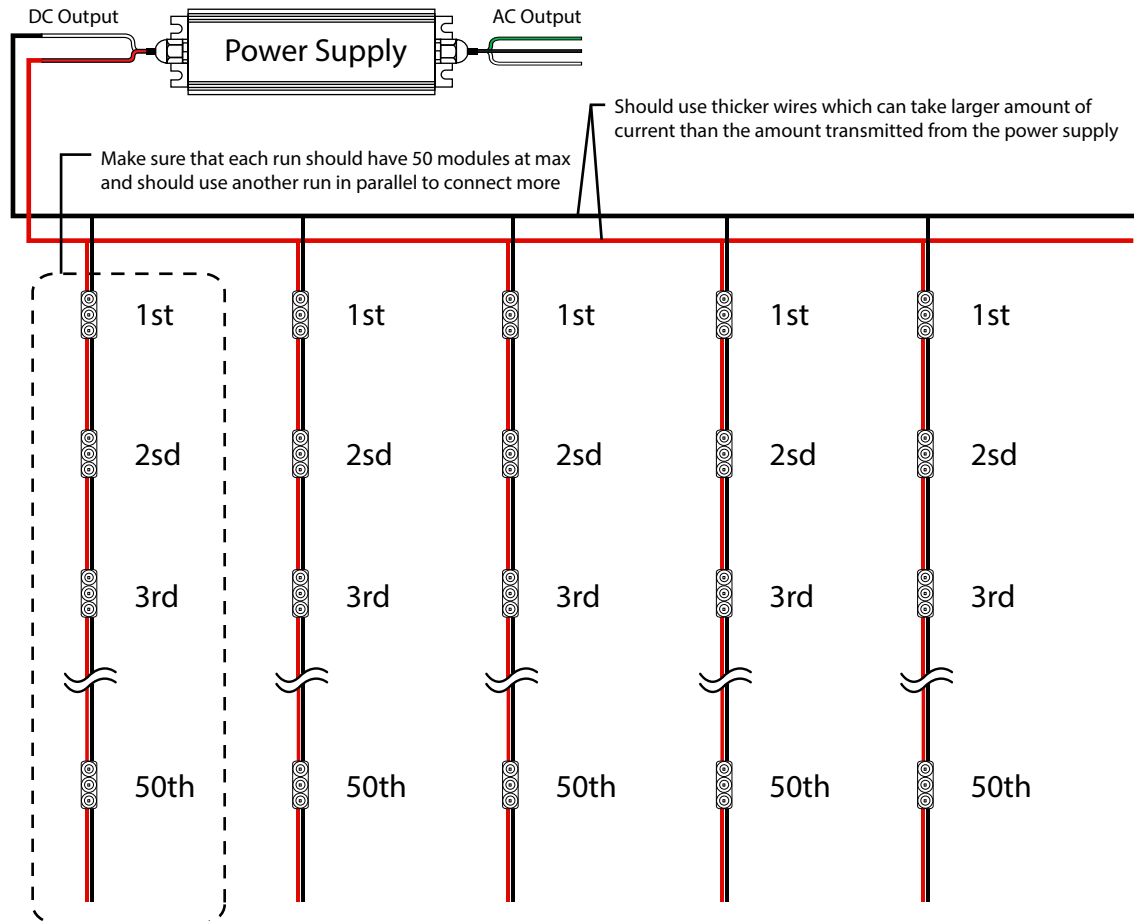
**Construction**

LED type : Samsung SMD2835  
 Case materials : UL, ABS-94  
 Cable : UL-AWM2468, AWG22x2C

**Approval**

UL Certified E347462  
 CAN/CSA-C22.2 No. 207-M89

**Wiring Guide**



**Wiring Guide**

		Power Supply					
		30watt	60watt	100watt	120watt	150watt	350watt
MINI3-LW	Qty(pcs)	50	100	165	200	250	540
0.48Watt	Length(ft)	12.5	25	41	50	62.5	135

Specifications subject to change without notice