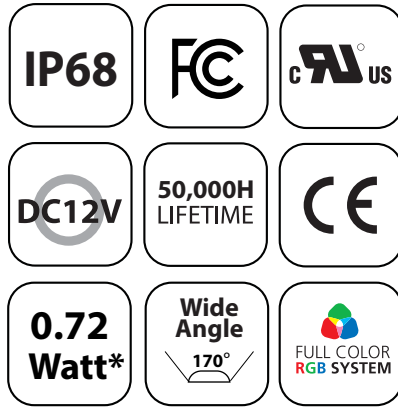


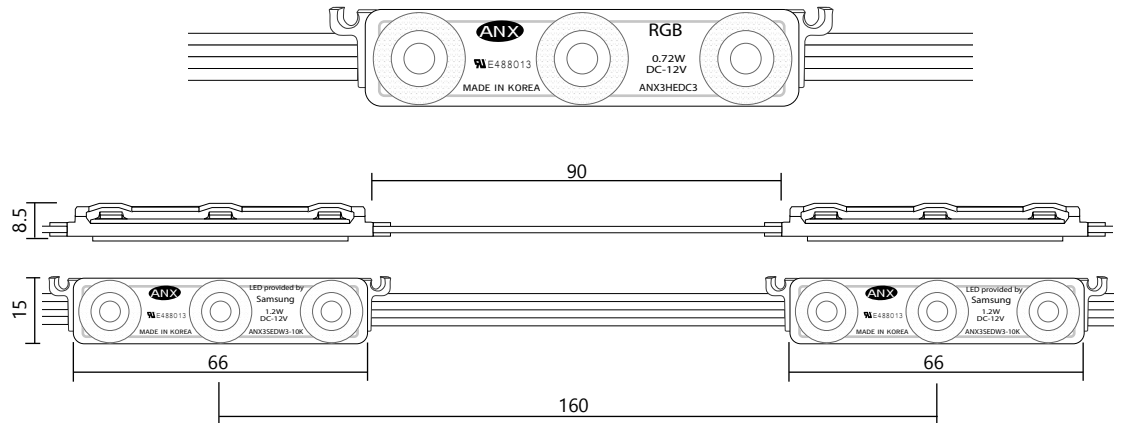
# Specification |

## Characteristic



- **Recommended for channel letter. 3" to 8" from LED to face**
- Most Preferred Best Seller LED Module Solution (CE, UL Certified)
- Specialized lens covered design for perfect humid & waterproof (IP68)
- High luminosity & compact design
- Guaranteed life time up to 50,000 hours
- \*24 hour constant load may result less operating hours with lower lighting output. Estimated lifetime is based on normal usage
- SMD LED mounted (Made in Korea)
- Slight current drop through wire to wire connection(vs soldering)
- 170° viewing angle creates more uniform backlighting effects and better silhouettes
- Quality and reliability assured

## Physical



## Optical Characteristic

Color	Luminous Flux(lm)	Luminance Efficiency(lm/W)	Dominant Wave Length & Color Temperature	Viewing Angle
	Typical	Typical	Typical	2θ <sub>1/2</sub>
Red	6.3	26	625	140
Green	12.6	53	537	140
Blue	2.7	11	465	140
White	21.6	30	-	140

**Electrical Characteristics**

Current dissipation : 60mA  
 Power consumption : 0.72W  
 Operating powewr : 12V  
 Quantity for maximum connection in serial : 100 modules  
 Color controller supported : Voltage controlled color change system

**Thermal**

Operating temperature : -25~60°C  
 Storage temperature : -40~80°C

**Waterproof Rating**

IP68 : Complete protection against dust ingress and water

**Construction**

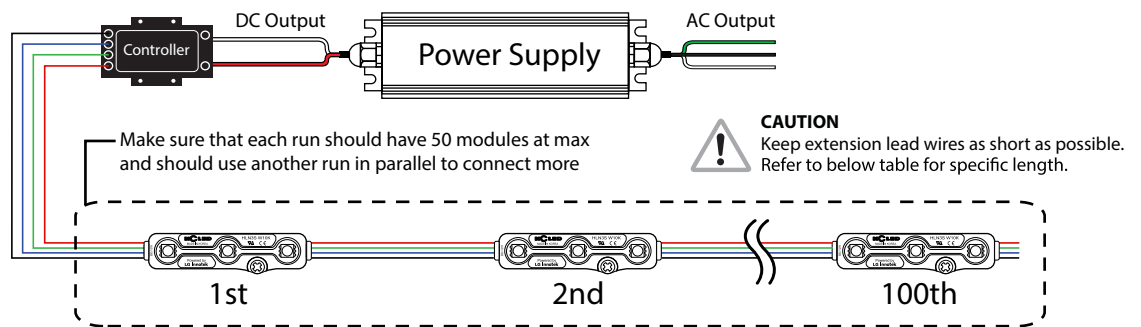
LED type : SMD5050  
 Case materials : ABS, UL-94  
 Cable : UL-AWG18x4C  
 Cover materials : Polycabonate, UL-94

**Approval**

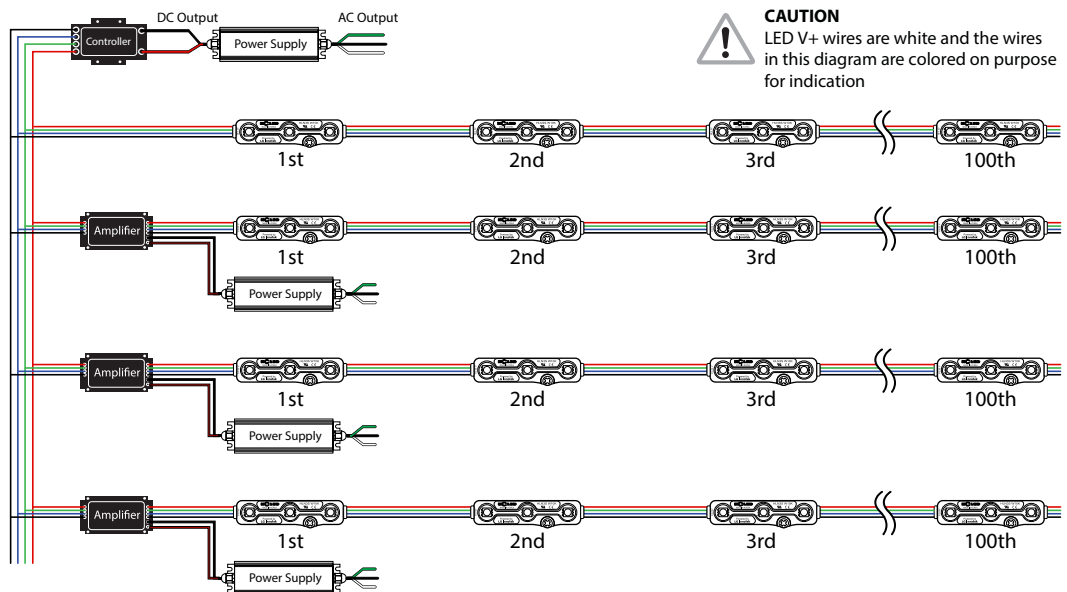
UL Certified E488013  
 KS Certified

**Wiring Guide**

**Single Controller**



**Parallel Connection with Signal Amplifiers**



Specifications subject to change without notice

**CONNECTION WITH  
POWER SUPPLY**

**EXTENSION OF POWER SUPPLY LEAD WIRES**

Output (W)	30W	60W	100W	120W	150W
Output (A)	2.5A	5A	8.4A	10A	12.5A
Max Q'TY per Run*	35pcs	70pcs	110pcs	140pcs	170pcs
Recommended Extension Wire	AWG18	AWG14	AWG12	AWG4	AWG2
Maximum Length	5M (15FT)	5M (15FT)	5M (15FT)	15M (50FT)	15M (50FT)

\*Maximum quantity of LED is based on 80% of specified capacity of power supplies for extended lifespan

*Specifications subject to change without notice*