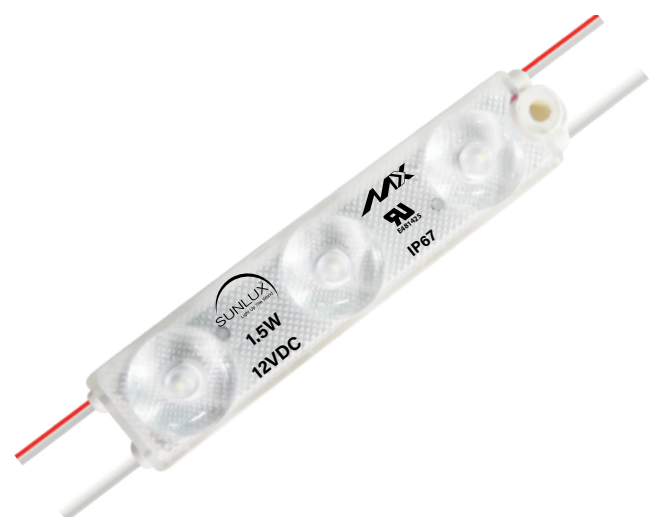


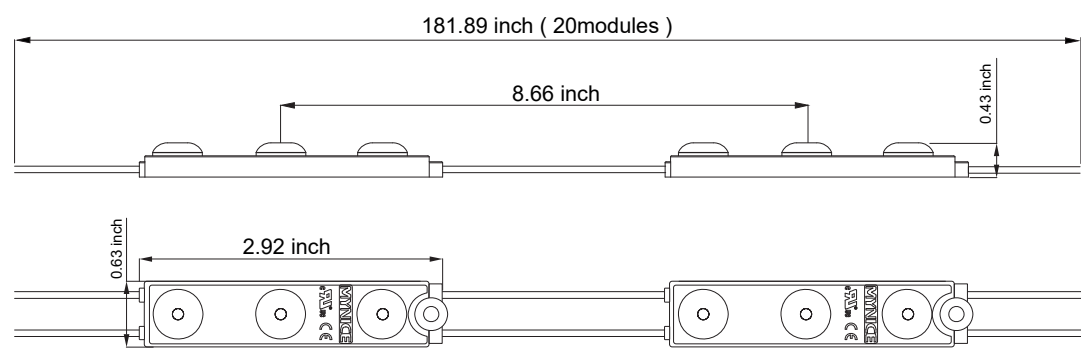
Characteristic

High Efficiency	IP67
Single-Bin SMD2835	UL US E481425
DC12V	CE
50,000H LIFETIME	RoHS
Wide Angle 175°	FCC



- High Luminous Efficacy LED Module Solution for Signage and Cabinets
- Electrical and material safety certified (UL, CE and RoHS Certificates)
- Industry-leading, single-bin SMD2835 LED chips
- Ultra Sonic Welding Technology provides extreme weather protection (IP68)
- Secure and easy fastening with genuine double coated tissue 3M adhesive
- Guaranteed lifetime of more than 50,000 hours (L70)
- High strength polycarbonate lens + ABS plastic body for harsh environments
- Fully integrated 175° optical lens for wide and evenly distributed light

Physical



Optical Characteristic

Color	Current Dissipation (mA)	Power Consumption (Watt)	Luminous Flux (lm)	Luminous Efficiency (lm/W)	CCT (Kelvin)	Viewing Angle
Cool White	125	1.5	234	155	7,500K	175 (2Θ½)

Electrical Characteristics

Current dissipation: 125mA
 Power consumption: 1.5W
 Operating power: DC 12V
 Maximum quantity for serial connection: 20 modules
 Supports 12V dimming

Thermal

Heat dissipation: Ambient air
 Operating ambient temperature: -4°F to 140°F
 Storage ambient temperature: -4°F to 140°F

Waterproof Rating

IP67: Complete protection against dust and moisture. Immersion up to 1 meter under - defined condition of pressure and time.

Construction

LED type: SMD 2835
 Body, Lens, PCB: ABS, PC and FR-4
 Cable: UL, AWM2468 18AWG
 Pre-mounted 3M adhesive tape and screwing hole for mechanic fastening

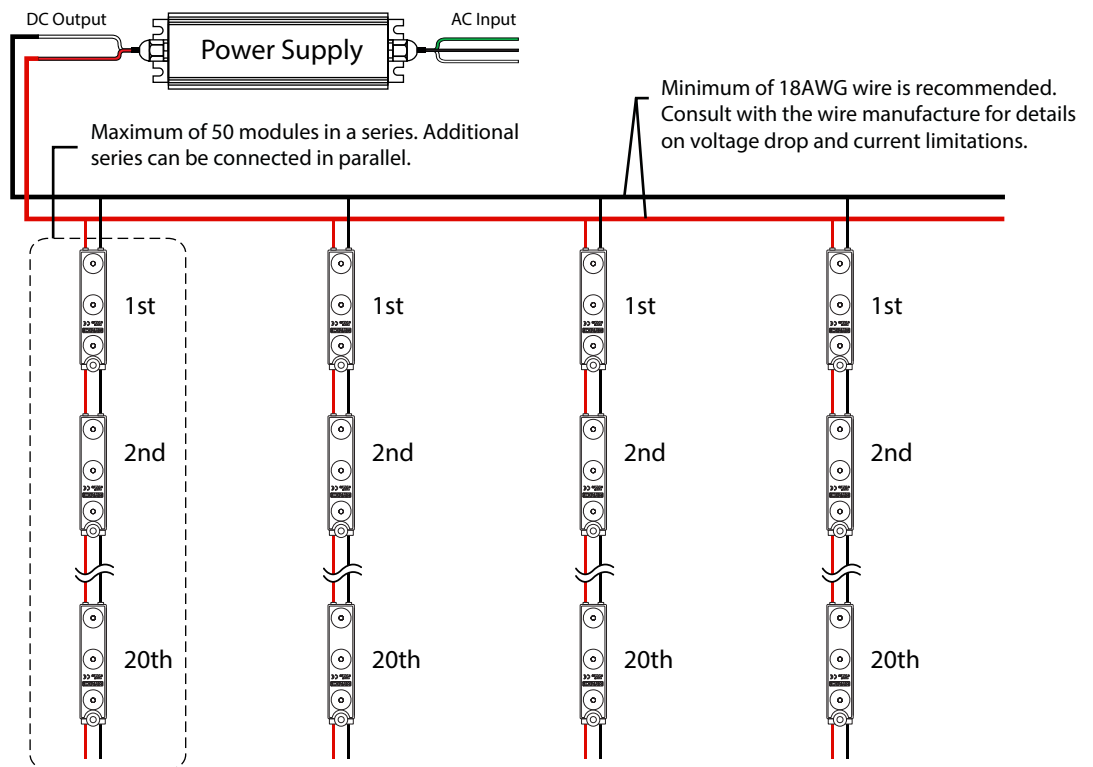
Approval

EN 55015/A2: 2009
 UL879 -U.S Standard for Electric Sign Components
 C22.2 No. 207-M89-Canadian Standard for Portable and Stationary Electric Signs & Displays
 RoHS Directive 2011/65/EU

Packaging

Anti-static vinyl bag: 100 modules (72 feet)
 Master carton box: 1200 modules (12 vinyl bags)

Wiring Guide



Power Supply Load Table**

Power Consumption	Safety Factor	Power Supply* (watt) / Qty (pcs)							
		30w	60w	75w	100w	120w	150w	200w	300w
1.5Watt	80%	16	32	40	53	64	80	106	160
	90%	18	36	45	60	72	90	120	180

*Check power supply specification/data sheet for the temperature and line derating curve.
 **This table is generated with a Safety Factor (SF) of 1.15 (80% and 90% load).