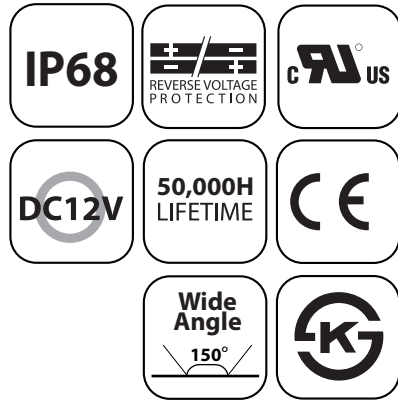
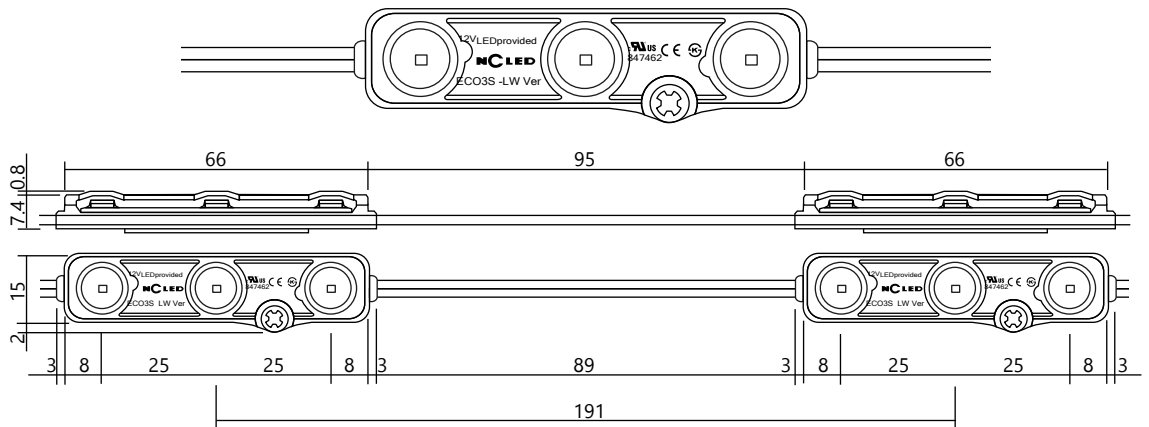


Characteristic



- **Most Preferred Best Seller LED Module Solution (CE, UL Certified)**
- Specialized lens covered design for perfect humid & waterproof (IP68)
- High luminosity & compact design
- Guaranteed life time up to 50,000 hours
*24 hour constant load may result less operating hours with lower lighting output. Estimated lifetime is based on normal usage
- SMD LED mounted (Made in Korea)
- Slight current drop through wire to wire connection(vs soldering)
- 150° viewing angle creates more uniform backlighting effects and better silhouettes
- Non-polarity design
- Quality and reliability assured

Physical



Length : 66mm Weight : 10g
 Width : 15mm LED Pitch : 25mm
 Thickness : 8.2mm Module Pitch : 191mm

Optical Characteristic

Color	Luminous Flux(lm)	CC(K) & Wavelength(nm)	Viewing Angle
	Typical	Typical	2θ _{1/2}
□ Cool White	60	10,000K	150
■ Red	19	625nm	150
■ Green	46	525nm	150
■ Blue	9	465nm	150
■ Amber	12	595nm	150

Electrical Characteristics

Current dissipation : 60mA
 Power consumption : 0.72W
 Operating powewr : 12V
 Quantity for maximum connection in serial : 50 modules
 Electronic dimmable controller supported

Thermal

Operating temperature : -20~60°C
 Storage temperature : -20~70°C

Waterproof Rating

IP68 : Complete protection against dust ingress and water

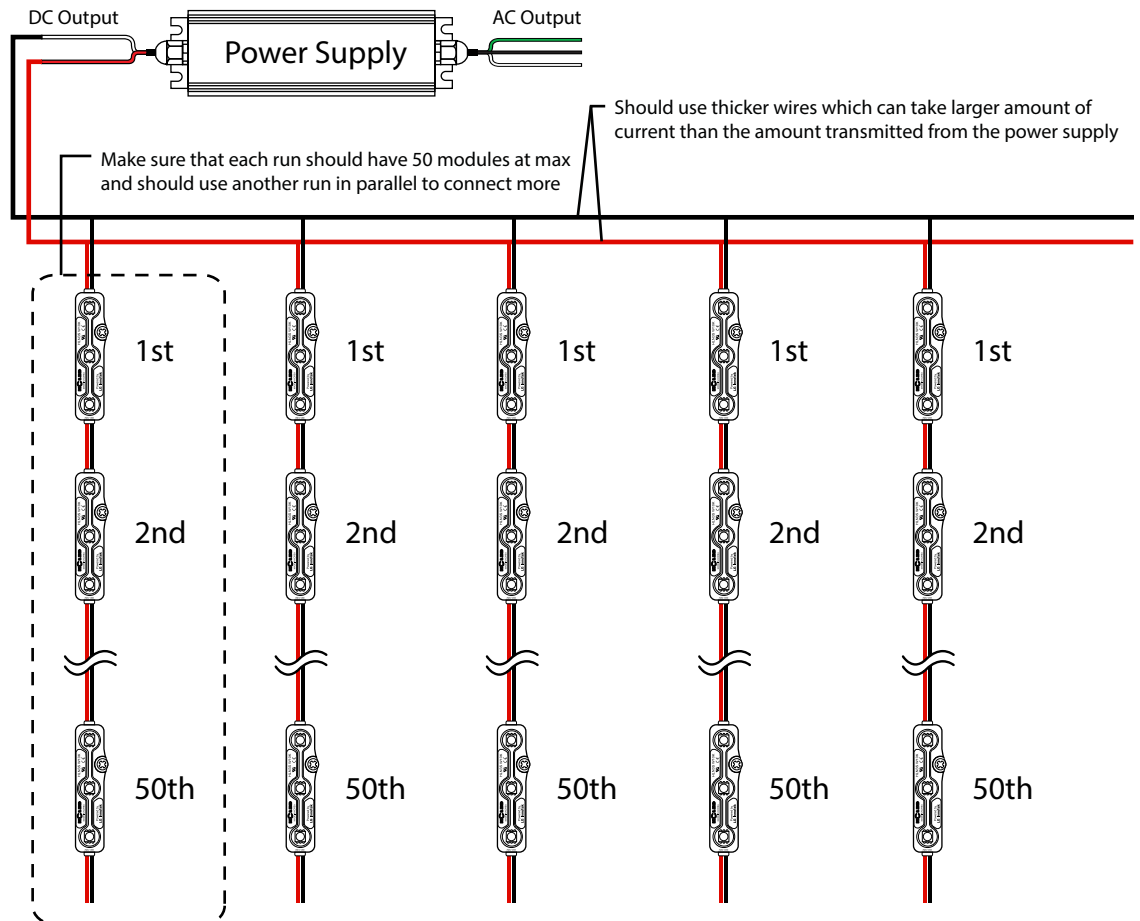
Construction

LED type : SMD2835
 Case materials : ABS, UL-94
 Cable : UL, AWM2468 20AWG

Approval

UL Certified E347462
 CAN/CSA-C22.2 No. 207-M89

Wiring Guide



Wiring Guide

		Power Supply					
		30watt	60watt	100watt	120watt	150watt	350watt
ECO3S LW	Qty(pcs)	35	70	110	135	165	360
0.72Watt	Length(ft)	17.5	35	55	67.5	82.5	180

Specifications subject to change without notice