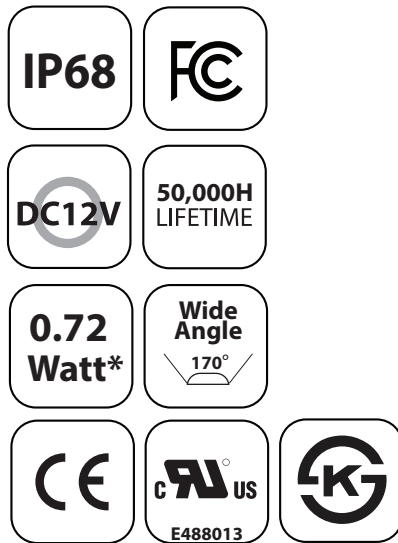




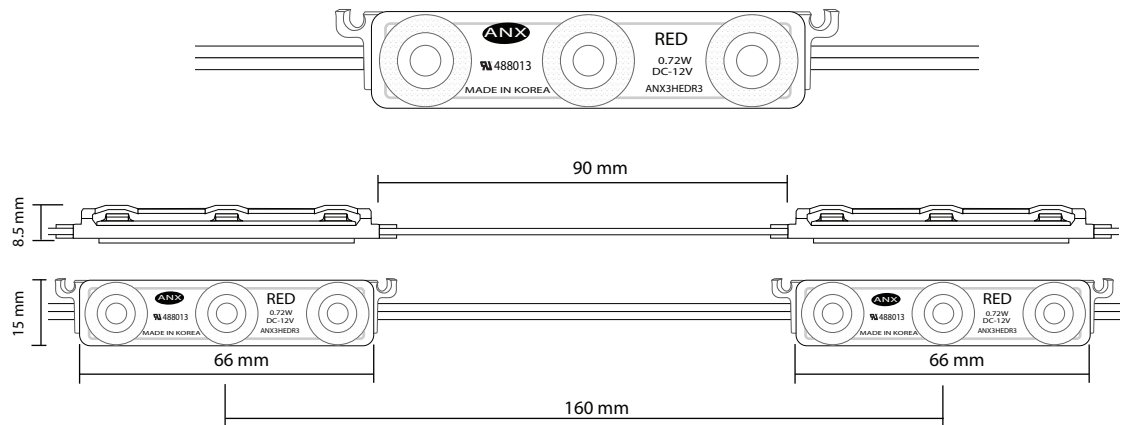
**Characteristic**



**· Recommended for channel letter. 3" to 8" from LED to face**

- Most Preferred Best Seller LED Module Solution (CE, UL Certified)
- Specialized lens covered design for perfect humid & waterproof (IP68)
- High luminosity & compact design
- Guaranteed life time up to 50,000 hours  
\*24 hour constant load may result less operating hours with lower lighting output. Estimated lifetime is based on normal usage
- SMD LED mounted (Made in Korea)
- Slight current drop through wire to wire connection(vs soldering)
- 170° viewing angle creates more uniform backlighting effects and better silhouettes
- Quality and reliability assured

**Physical**



**Optical Characteristic**

Color	Luminous Flux(lm)	Wavelength(nm)	Viewing Angle
	Typical	Typical	2θ <sub>1/2</sub>
Red	15.9	625nm	170
Amber	12	595nm	170
Blue	12	460 - 465nm	170
Green	12	520 - 525nm	170

**Electrical Characteristics**

Current dissipation: 60mA  
 Power consumption: 0.72W  
 Operating power: DC 12V  
 Maximum quantity for serial connection: 50 modules  
 Supports 12V dimming

**Thermal**

Heat dissipation: Ambient air  
 Operating ambient temperature: -4°F to 140°F

**Waterproof Rating**

IP68 : Complete protection against dust ingress and water

**Construction**

LED type : SMD2835  
 Case materials : ABS, UL-94  
 Cable : UL 18AWG

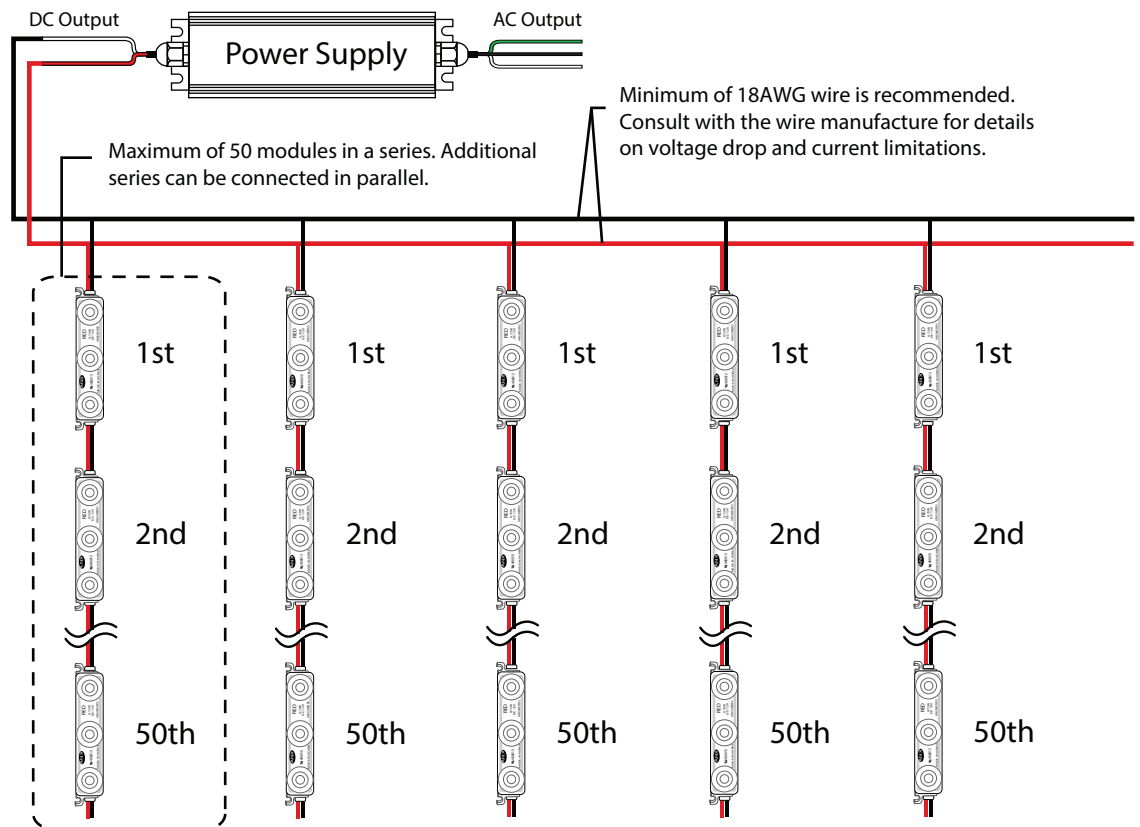
**Approval**

UL Certified E488013

**Packaging**

bag: 200 modules (100 feet)  
 Master carton box: 2000 modules (10 bags, 1000 feet)

**Wiring Guide**



**Power Supply Load Table\*\***

Power Consumption	Safety Factor	Power Supply* (watt) / Qty (pcs)							
		30w	60w	75w	100w	120w	150w	200w	320w
0.72Watt	80%	33	67	83	111	133	166	222	355
	90%	37	75	93	125	150	187	250	400

\*Check power supply specification/data sheet for the temperature and line derating curve.

\*\*This table is generated with a Safety Factor (SF) of 1.2 and 1.1 (80% and 90% load).