
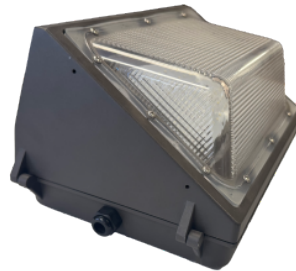


## Characteristics

 CERTIFIED	<b>150</b> lumens/w
<b>IP65</b>	<b>Input</b> <b>120-277V</b>
Selectable Color Temp. (K)	Selectable Power (W)

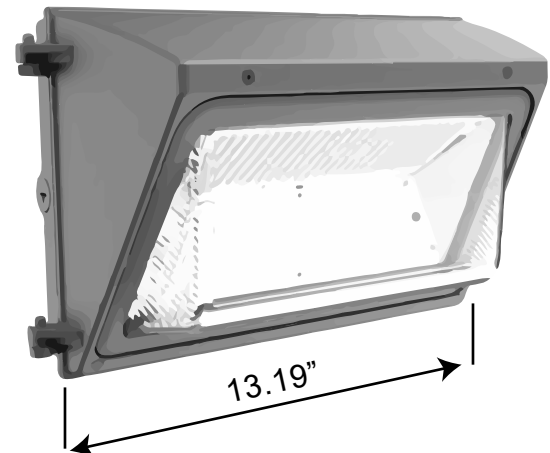
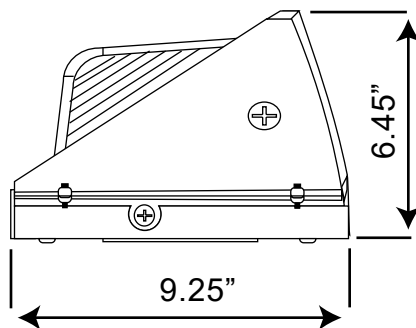


Distributed by Sunlux

## Feature and Specifications

- Easy to install and operate
- Die-cast aluminum housing, thermoset polyester powder coat with a dark bronze finish
- The borosilicate prismatic glass version provides a durable lifetime
- High UV resistance polycarbonate lens version provides uniform lighting distribution
- Input Voltage: 120-277Vac 50/60Hz
- High efficacy up to 150 lm/W
- Selectable color temperature: 3CCT (3000/4000/5000K)
- Power switchable between 60/90/100/120W
- Beam Angle: Type IV (Width of 60°)
- Automated dusk-to-dawn photocell functionality
- Best use in, pathway, building entryways, perimeter lighting, etc.

## Dimensions



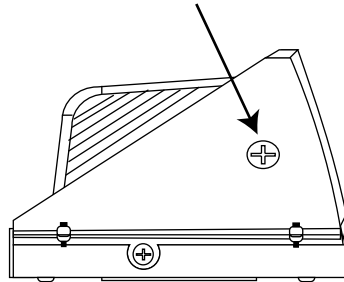
## Optical / Luminaire Characteristics

Model N°	SS-WP06-120W-CCT3-5
Selectable Color (K)	3000/4000/5000K
Selectable Power (W)	60/90/100/120W
Efficacy (LPW)	UP to 150 lm/W ~ 18,000 lm
CRI	≥80
Input Voltage	120-277V
Operating Temp	-40°C to 45°C ~ -40F to 113F

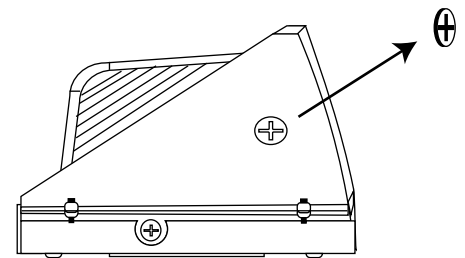
### How to adjust

- Color Temp.
- Wattage

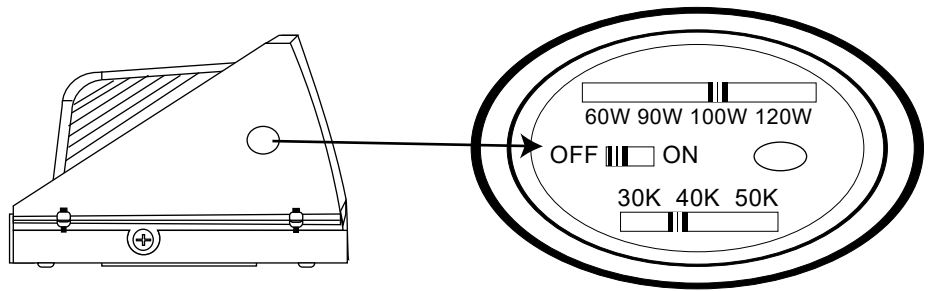
1. Locate the selector switches on the side of the housing.



2. Remove the selector switch cover plug



3. Select color temperature (CCT), Power (W) and/or photocell on/off position by sliding the respective switch to the desired value.



4. Replace the selector switch cover plug and tighten it to prevent water.

